



AiP74LVC1G14

Single Inverter Schmitt Trigger

Product Specification

Specification Revision History:

Version	Date	Description
2017-05-A1	2017-05	New
2023-04-B1	2023-04	Update the template
2025-05-B2	2025-05	Add XSON6 package form
2026-02-B3	2026-02	Add junction temperature and ESD
2026-04-B4	2026-04	Add DFN4 package form



Contents

1、 General Description.....	3
2、 Block Diagram And Pin Description	4
2.1、 Block Diagram	4
2.2、 Pin Configurations.....	4
2.3、 Pin Description	4
2.4、 Function Table.....	5
3、 Electrical Parameter	5
3.1、 Absolute Maximum Ratings.....	5
3.2、 Recommended Operating Conditions.....	5
3.3、 Electrical Characteristics	6
3.3.1、 DC Characteristics 1	6
3.3.2、 DC Characteristics 2	7
3.3.3、 AC Characteristics 1	8
3.3.4、 AC Characteristics 2	8
4、 Testing Circuit	9
4.1、 AC Testing Circuit	9
4.2、 AC Testing Waveforms.....	9
4.3、 Measurement Points	9
5、 Package Information	10
5.1、 SOT23-5.....	10
5.2、 SOT353	11
5.3、 XSON6.....	12
5.4、 DFN4.....	13
6、 Statements And Notes	14
6.1、 The name and content of Hazardous substances or Elements in the product	14
6.2、 Notes	14



1、General Description

The AiP74LVC1G14 provides the inverting buffer function with Schmitt-trigger input. It is capable of transforming slowly changing input signals into sharply defined, jitter-free output signals.

The input can be driven from either 3.3V or 5V devices. This feature allows the use of this device in a mixed 3.3V and 5V environment. Schmitt-trigger action at the input makes the circuit tolerant for slower input rise and fall time.

This device is fully specified for partial power-down applications using I_{OFF} . The I_{OFF} circuitry disables the output, preventing the damaging backflow current through the device when it is powered down.

Features:

- Wide supply voltage range from 1.65V to 5.5V
- $\pm 24\text{mA}$ output drive ($V_{CC}=3.0\text{V}$)
- CMOS low power consumption
- Direct interface with TTL levels
- Unlimited rise and fall times
- Input accepts voltages up to 5V
- Specified from -40°C to $+125^{\circ}\text{C}$
- Packaging information: SOT23-5/SOT353/XSON6/DFN4

Ordering Information:

Reel packing specifications:

Part number	Packaging form	Marking code	Reel quantity	Boxed reel quantity	Notes
AiP74LVC1G14GB235.TR	SOT23-5	AKXX	3000 PCS/reel	30000 PCS/box	Dimensions of plastic enclosure: 2.9mm×1.6mm Pin spacing: 0.95mm
AiP74LVC1G14GC353.TR	SOT353	AKXX	3000 PCS/reel	30000 PCS/box	Dimensions of plastic enclosure: 2.1mm×1.3mm Pin spacing: 0.65mm
AiP74LVC1G14EA6.TR	XSON6	AK XX	5000 PCS/reel	25000 PCS/box	Dimensions of plastic enclosure: 1.45mm×1.0mm Pin spacing: 0.50mm
AiP74LVC1G14XD4.TR	DFN4	AKX	12000 PCS/reel	120000 PCS/box	Dimensions of plastic enclosure: 0.8mm×0.8mm Pin spacing: 0.50mm

Note 1: “XX” refers to variable content, meaning package batch serial number.

Note 2: If the physical information is inconsistent with the ordering information, please refer to the actual product.



2、Block Diagram And Pin Description

2.1、Block Diagram

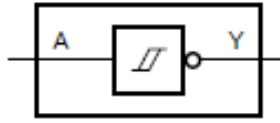


Figure 1. Logic symbol

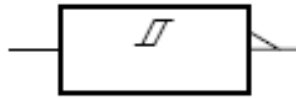
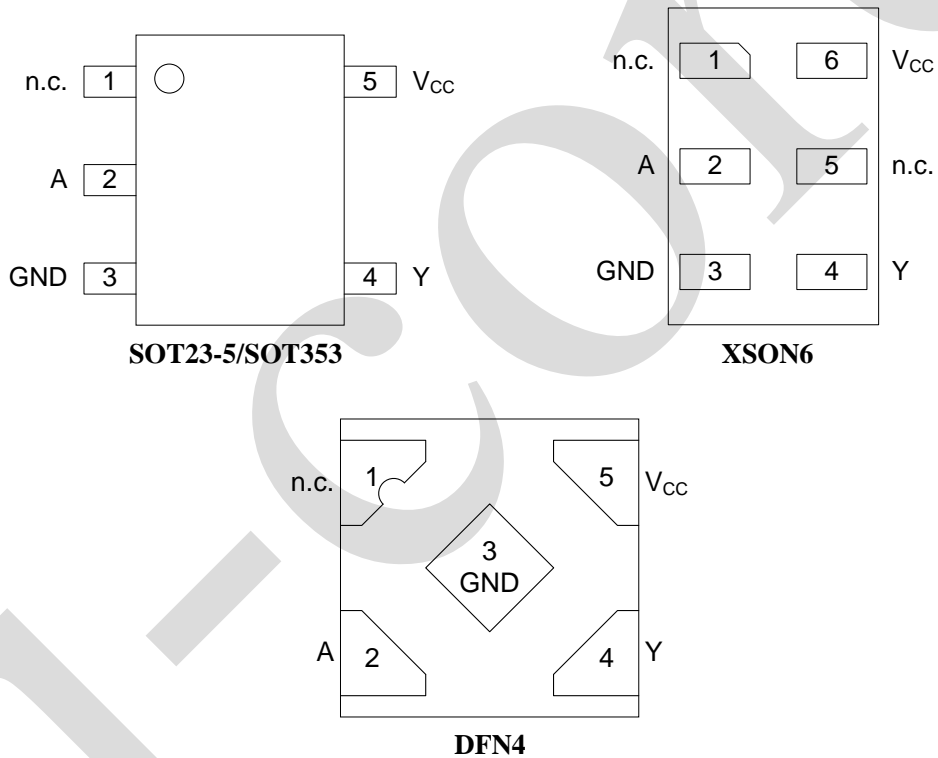


Figure 2. IEC logic symbol

2.2、Pin Configurations



2.3、Pin Description

Pin No.		Pin Name	Description
SOT23-5/SOT353/DFN4	XSON6		
1	1, 5	n.c.	not connected
2	2	A	data input
3	3	GND	ground (0V)
4	4	Y	data output
5	6	V _{CC}	supply voltage



2.4、Function Table

Input	Output
A	Y
L	H
H	L

Note: H=HIGH voltage level; L=LOW voltage level.

3、Electrical Parameter

3.1、Absolute Maximum Ratings

(Voltages are referenced to GND (ground=0V), unless otherwise specified.)

Parameter	Symbol	Conditions	Min.	Max.	Unit
supply voltage	V_{CC}	-	-0.5	+6.5	V
input voltage	V_I	-	-0.5	+6.5	V
output voltage	V_O	Active mode	-0.5	$V_{CC}+0.5$	V
		Power-down mode; $V_{CC}=0V$	-0.5	+6.5	V
input clamping current	I_{IK}	$V_I < 0V$	-50	-	mA
output clamping current	I_{OK}	$V_O > V_{CC}$ or $V_O < 0V$	-	± 50	mA
output current	I_O	$V_O=0V$ to V_{CC}	-	± 50	mA
supply current	I_{CC}	-	-	+100	mA
ground current	I_{GND}	-	-100	-	mA
storage temperature	T_{stg}	-	-65	+150	°C
total power dissipation	P_{tot}	-	-	250	mW
junction temperature	T_J	-	150		°C
soldering temperature	T_L	10s	260		°C
electrostatic discharge	ESD	HBM	2000		V

3.2、Recommended Operating Conditions

Parameter	Symbol	Conditions	Min.	Typ.	Max.	Unit
supply voltage	V_{CC}	-	1.65	-	5.5	V
input voltage	V_I	-	0	-	5.5	V
output voltage	V_O	Active mode	0	-	V_{CC}	V
		Power-down mode; $V_{CC}=0V$	0	-	5.5	V
ambient temperature	T_{amb}	-	-40	-	+125	°C



3.3、Electrical Characteristics

3.3.1、DC Characteristics 1

($T_{amb}=-40^{\circ}\text{C}$ to $+85^{\circ}\text{C}$, voltages are referenced to GND (ground = 0V), unless otherwise specified.)

Parameter	Symbol	Conditions	Min.	Typ.	Max.	Unit	
positive-going threshold voltage	V_{T+}	$V_{CC}=1.8\text{V}$	0.82	1.02	1.2	V	
		$V_{CC}=2.3\text{V}$	1.03	1.25	1.45	V	
		$V_{CC}=3.0\text{V}$	1.29	1.5	1.71	V	
		$V_{CC}=4.5\text{V}$	1.84	2.15	2.41	V	
		$V_{CC}=5.5\text{V}$	2.19	2.6	2.91	V	
negative-going threshold voltage	V_{T-}	$V_{CC}=1.8\text{V}$	0.45	0.6	0.75	V	
		$V_{CC}=2.3\text{V}$	0.64	0.8	0.96	V	
		$V_{CC}=3.0\text{V}$	0.86	1.1	1.34	V	
		$V_{CC}=4.5\text{V}$	1.35	1.75	2.09	V	
		$V_{CC}=5.5\text{V}$	1.61	2.15	2.59	V	
hysteresis voltage	V_H	$V_{CC}=1.8\text{V}$	0.24	0.4	0.54	V	
		$V_{CC}=2.3\text{V}$	0.26	0.4	0.57	V	
		$V_{CC}=3.0\text{V}$	0.27	0.42	0.64	V	
		$V_{CC}=4.5\text{V}$	0.28	0.45	0.65	V	
		$V_{CC}=5.5\text{V}$	0.29	0.47	0.75	V	
HIGH-level output voltage	V_{OH}	$V_I = V_{T+}$ or V_{T-}	$I_O=-100\mu\text{A}; V_{CC}=1.65\text{V to }5.5\text{V}$	$V_{CC}-0.1$	-	-	V
			$I_O=-4\text{mA}; V_{CC}=1.65\text{V}$	1.2	1.54	-	V
			$I_O=-8\text{mA}; V_{CC}=2.3\text{V}$	1.9	2.15	-	V
			$I_O=-12\text{mA}; V_{CC}=2.7\text{V}$	2.2	2.50	-	V
			$I_O=-24\text{mA}; V_{CC}=3.0\text{V}$	2.3	2.62	-	V
			$I_O=-32\text{mA}; V_{CC}=4.5\text{V}$	3.8	4.11	-	V
LOW-level output voltage	V_{OL}	$V_I = V_{T+}$ or V_{T-}	$I_O=100\mu\text{A}; V_{CC}=1.65\text{V to }5.5\text{V}$	-	-	0.10	V
			$I_O=4\text{mA}; V_{CC}=1.65\text{V}$	-	0.07	0.45	V
			$I_O=8\text{mA}; V_{CC}=2.3\text{V}$	-	0.12	0.30	V
			$I_O=12\text{mA}; V_{CC}=2.7\text{V}$	-	0.17	0.40	V
			$I_O=24\text{mA}; V_{CC}=3.0\text{V}$	-	0.33	0.55	V
			$I_O=32\text{mA}; V_{CC}=4.5\text{V}$	-	0.39	0.55	V
input leakage current	I_I	$V_I=5.5\text{V}$ or GND; $V_{CC}=0\text{V}$ to 5.5V	-	-	± 1	μA	
power-off leakage current	I_{OFF}	V_I or $V_O=5.5\text{V}; V_{CC}=0\text{V}$	-	-	± 2	μA	
supply current	I_{CC}	$V_I=5.5\text{V}$ or GND; $I_O=0\text{A}; V_{CC}=1.65\text{V}$ to 5.5V	-	-	4	μA	
additional supply current	ΔI_{CC}	$V_I=V_{CC}-0.6\text{V}; I_O=0\text{A}; V_{CC}=2.3\text{V}$ to 5.5V	-	-	500	μA	

Note: All typical values are measured at maximum V_{CC} and $T_{amb}=25^{\circ}\text{C}$.



3.3.2、DC Characteristics 2

($T_{amb}=-40^{\circ}\text{C}$ to $+125^{\circ}\text{C}$, voltages are referenced to GND (ground = 0V), unless otherwise specified.)

Parameter	Symbol	Conditions	Min.	Typ.	Max.	Unit	
positive-going threshold voltage	V_{T+}	$V_{CC}=1.8\text{V}$	0.79	-	1.2	V	
		$V_{CC}=2.3\text{V}$	1.00	-	1.45	V	
		$V_{CC}=3.0\text{V}$	1.26	-	1.71	V	
		$V_{CC}=4.5\text{V}$	1.81	-	2.41	V	
		$V_{CC}=5.5\text{V}$	2.16	-	2.91	V	
negative-going threshold voltage	V_{T-}	$V_{CC}=1.8\text{V}$	0.45	-	0.78	V	
		$V_{CC}=2.3\text{V}$	0.64	-	0.99	V	
		$V_{CC}=3.0\text{V}$	0.86	-	1.37	V	
		$V_{CC}=4.5\text{V}$	1.35	-	2.12	V	
		$V_{CC}=5.5\text{V}$	1.61	-	2.62	V	
hysteresis voltage	V_H	$V_{CC}=1.8\text{V}$	0.17	-	0.54	V	
		$V_{CC}=2.3\text{V}$	0.20	-	0.57	V	
		$V_{CC}=3.0\text{V}$	0.21	-	0.64	V	
		$V_{CC}=4.5\text{V}$	0.22	-	0.65	V	
		$V_{CC}=5.5\text{V}$	0.23	-	0.75	V	
HIGH-level output voltage	V_{OH}	$V_I = V_{T+}$ or V_{T-}	$I_O=-100\mu\text{A}; V_{CC}=1.65\text{V to }5.5\text{V}$	$V_{CC} - 0.1$	-	-	V
			$I_O=-4\text{mA}; V_{CC}=1.65\text{V}$	0.95	-	-	V
			$I_O=-8\text{mA}; V_{CC}=2.3\text{V}$	1.7	-	-	V
			$I_O=-12\text{mA}; V_{CC}=2.7\text{V}$	1.9	-	-	V
			$I_O=-24\text{mA}; V_{CC}=3.0\text{V}$	2.0	-	-	V
			$I_O=-32\text{mA}; V_{CC}=4.5\text{V}$	3.4	-	-	V
LOW-level output voltage	V_{OL}	$V_I = V_{T+}$ or V_{T-}	$I_O=100\mu\text{A}; V_{CC}=1.65\text{V to }5.5\text{V}$	-	-	0.10	V
			$I_O=4\text{mA}; V_{CC}=1.65\text{V}$	-	-	0.70	V
			$I_O=8\text{mA}; V_{CC}=2.3\text{V}$	-	-	0.45	V
			$I_O=12\text{mA}; V_{CC}=2.7\text{V}$	-	-	0.60	V
			$I_O=24\text{mA}; V_{CC}=3.0\text{V}$	-	-	0.80	V
			$I_O=32\text{mA}; V_{CC}=4.5\text{V}$	-	-	0.80	V
input leakage current	I_I	$V_I=5.5\text{V}$ or GND; $V_{CC}=0\text{V}$ to 5.5V	-	-	± 1	μA	
power-off leakage current	I_{OFF}	V_I or $V_O=5.5\text{V}; V_{CC}=0\text{V}$	-	-	± 2	μA	
supply current	I_{CC}	$V_I=5.5\text{V}$ or GND; $I_O=0\text{A}; V_{CC}=1.65\text{V}$ to 5.5V	-	-	4	μA	
additional supply current	ΔI_{CC}	$V_I=V_{CC}-0.6\text{V}; I_O=0\text{A}; V_{CC}=2.3\text{V}$ to 5.5V	-	-	500	μA	



3.3.3、AC Characteristics 1

($T_{amb}=-40^{\circ}\text{C}$ to $+85^{\circ}\text{C}$, voltages are referenced to GND (ground = 0V), unless otherwise specified.)

Parameter	Symbol	Conditions	Min.	Typ.	Max.	Unit	
A to Y propagation delay	t_{PLH}	see Figure 4	$V_{CC}=1.65\text{V}$ to 1.95V	-	14	21	ns
			$V_{CC}=2.3\text{V}$ to 2.7V	-	10	15	ns
			$V_{CC}=2.7\text{V}$	-	9	13.5	ns
			$V_{CC}=3.0\text{V}$ to 3.6V	-	8	12	ns
			$V_{CC}=4.5\text{V}$ to 5.5V	-	7	10.5	ns
A to Y propagation delay	t_{PHL}	see Figure 4	$V_{CC}=1.65\text{V}$ to 1.95V	-	12.5	18.8	ns
			$V_{CC}=2.3\text{V}$ to 2.7V	-	11	16.5	ns
			$V_{CC}=2.7\text{V}$	-	11	16.5	ns
			$V_{CC}=3.0\text{V}$ to 3.6V	-	11	16.5	ns
			$V_{CC}=4.5\text{V}$ to 5.5V	-	10	15	ns

3.3.4、AC Characteristics 2

($T_{amb}=-40^{\circ}\text{C}$ to $+125^{\circ}\text{C}$, voltages are referenced to GND (ground=0V), unless otherwise specified.)

Parameter	Symbol	Conditions	Min.	Typ.	Max.	Unit	
A to Y propagation delay	t_{PLH}	see Figure 4	$V_{CC}=1.65\text{V}$ to 1.95V	-	-	23	ns
			$V_{CC}=2.3\text{V}$ to 2.7V	-	-	17	ns
			$V_{CC}=2.7\text{V}$	-	-	15.5	ns
			$V_{CC}=3.0\text{V}$ to 3.6V	-	-	14	ns
			$V_{CC}=4.5\text{V}$ to 5.5V	-	-	12.5	ns
A to Y propagation delay	t_{PHL}	see Figure 4	$V_{CC}=1.65\text{V}$ to 1.95V	-	-	20.8	ns
			$V_{CC}=2.3\text{V}$ to 2.7V	-	-	18.5	ns
			$V_{CC}=2.7\text{V}$	-	-	18.5	ns
			$V_{CC}=3.0\text{V}$ to 3.6V	-	-	18.5	ns
			$V_{CC}=4.5\text{V}$ to 5.5V	-	-	17	ns



4、Testing Circuit

4.1、AC Testing Circuit

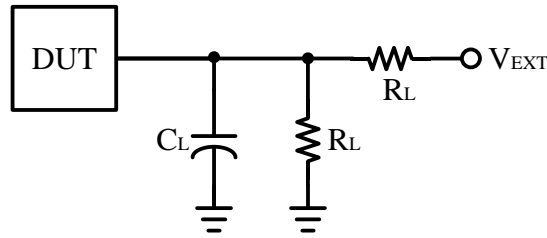


Figure 3. Test circuit for measuring switching times

Definitions for test circuit:

C_L =Load capacitance including jig and probe capacitance.

Supply voltage	Input		Load		V_{EXT}
V_{CC}	V_I	$t_r = t_f$	C_L	R_L	t_{PLH}, t_{PHL}
1.65V to 1.95V	V_{CC}	$\leq 3ns$	30pF	1k Ω	open
2.3V to 2.7V	V_{CC}	$\leq 3ns$	30pF	500 Ω	open
2.7V	2.7V	$\leq 3ns$	50pF	500 Ω	open
3.0V to 3.6V	2.7V	$\leq 3ns$	50pF	500 Ω	open
4.5V to 5.5V	V_{CC}	$\leq 3ns$	50pF	500 Ω	open

4.2、AC Testing Waveforms

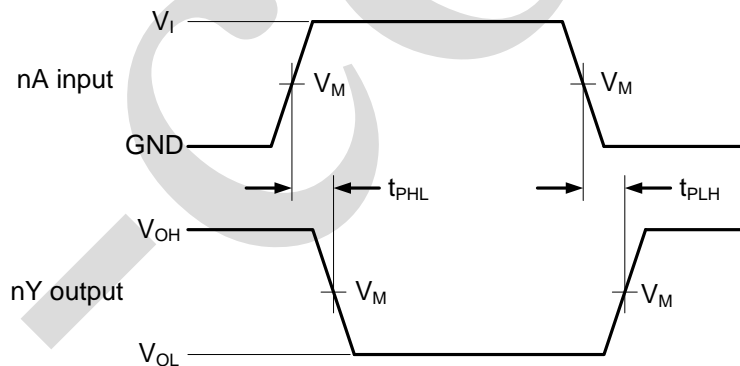


Figure 4. The data input (A) to output (Y) propagation delays

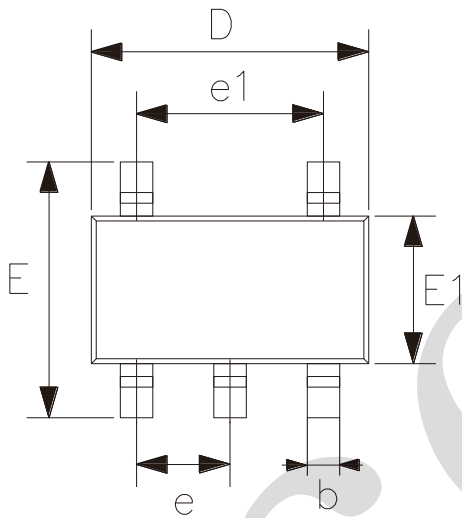
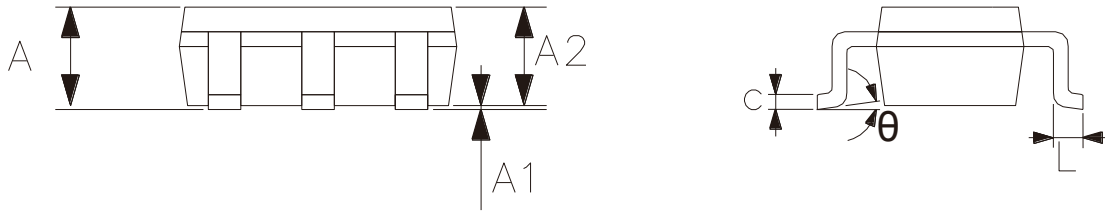
4.3、Measurement Points

Supply voltage	Input	Output
V_{CC}	V_M	V_M
1.65V to 1.95V	$0.5 \times V_{CC}$	$0.5 \times V_{CC}$
2.3V to 2.7V	$0.5 \times V_{CC}$	$0.5 \times V_{CC}$
2.7V	1.5V	1.5V
3.0V to 3.6V	1.5V	1.5V
4.5V to 5.5V	$0.5 \times V_{CC}$	$0.5 \times V_{CC}$



5、Package Information

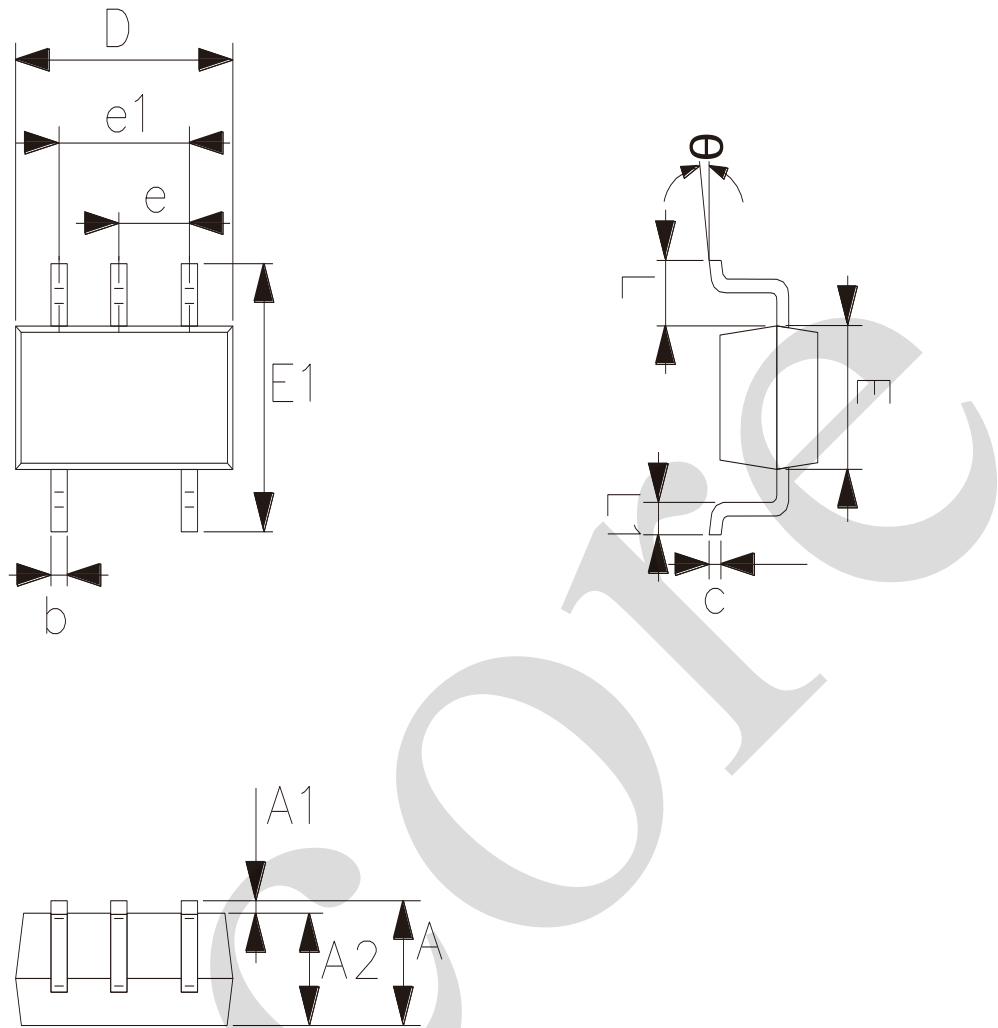
5.1、SOT23-5



2023/12/A	Dimensions In Millimeters		
	Symbol	Min.	Max.
A		—	1.26
A1		0.00	0.12
A2		1.00	1.20
b		0.30	0.50
c		0.10	0.20
D		2.82	3.02
E		2.60	3.00
E1		1.50	1.70
e		0.95	
e1		1.80	2.00
L		0.30	0.60
θ		0°	8°



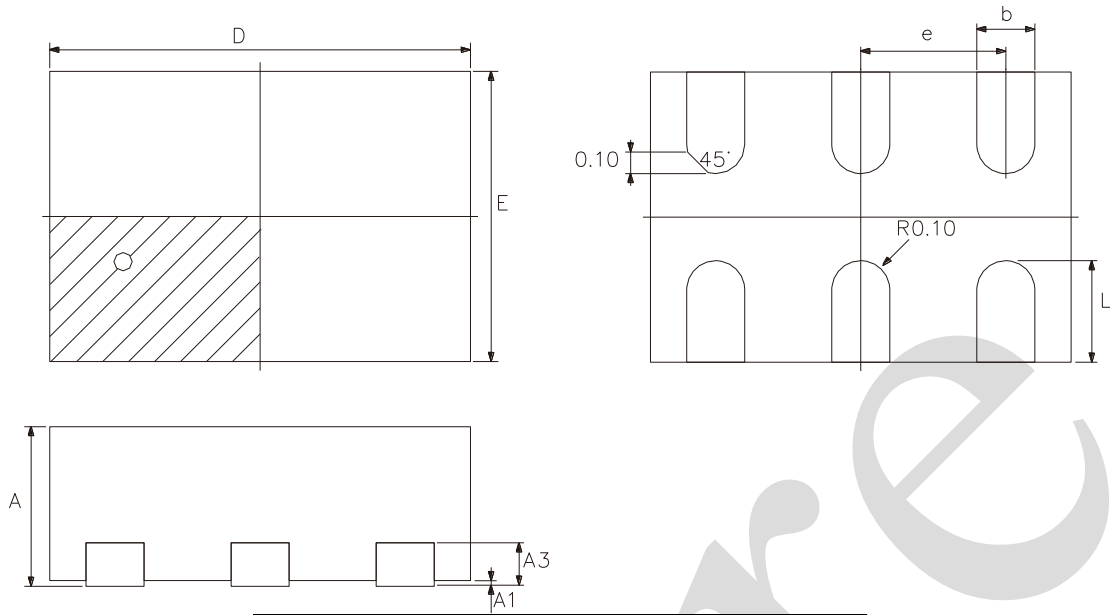
5.2、SOT353



2023/12/A	Dimensions In Millimeters	
Symbol	Min.	Max.
A	0.90	1.10
A1	0.00	0.10
A2	0.90	1.00
b	0.15	0.35
c	0.11	0.175
D	2.00	2.20
E	1.15	1.35
E1	2.15	2.45
e	0.65	
e1	1.20	1.40
L	0.525	
L1	0.26	0.46
θ	0°	8°



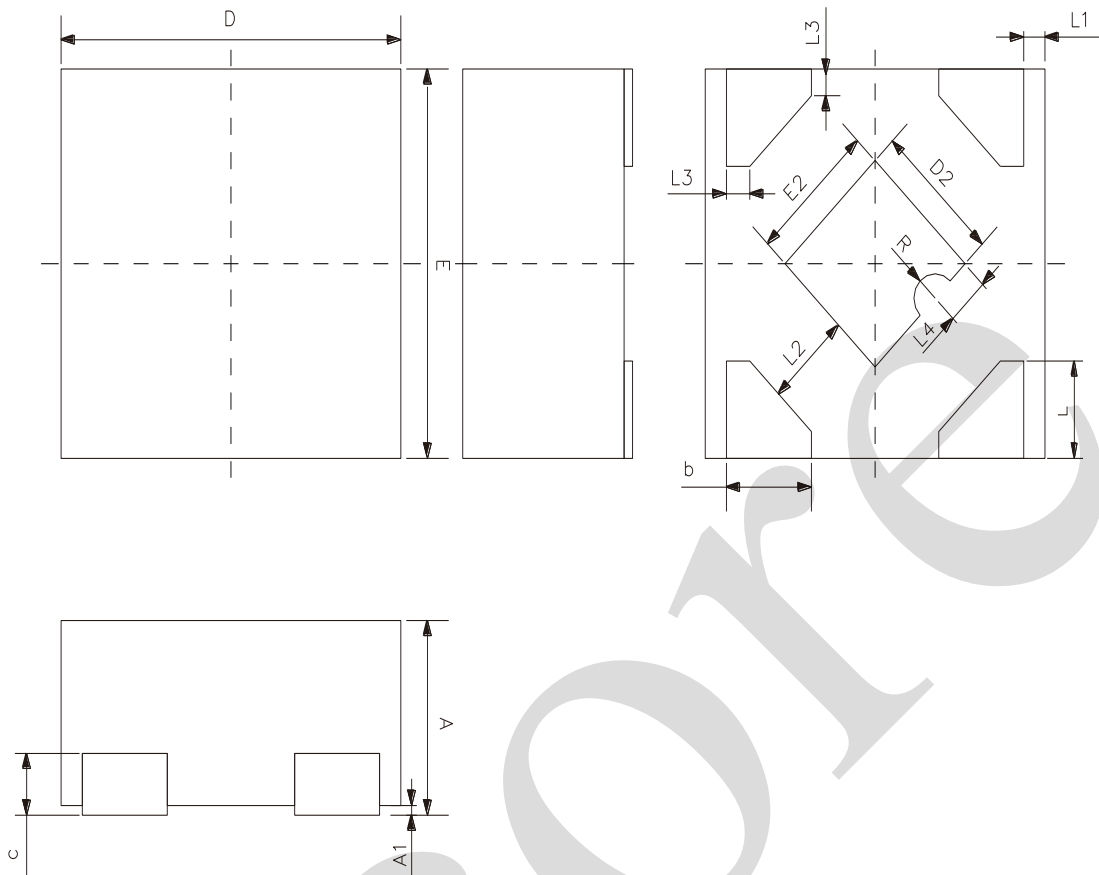
5.3、XSON6



2023/12/A	Dimensions In Millimeters	
Symbol	Min	Max
A	0.51	0.60
A1	0.00	0.05
A3	0.15	
b	0.15	0.25
D	1.45	
E	1.00	
e	0.50	
L	0.25	0.45



5.4. DFN4



2023/12/A	Dimensions In Millimeters	
Symbol	Min	Max
A	0.37	0.43
A1	0.00	0.05
b	0.15	0.25
c	0.127	
D	0.75	0.85
D2	0.20	0.40
E	0.75	0.85
E2	0.20	0.40
e	0.50	
L	0.15	0.25
L1	0.05	
L2	0.20	
L3	0.055	
L4	0.10	
R	0.05	



6、 Statements And Notes

6.1、 The name and content of Hazardous substances or Elements in the product

Part name	Hazardous substances or Elements									
	Lead and lead compounds	Mercury and mercury compounds	Cadmium and cadmium compounds	Hexavalent chromium compounds	Polybrominated biphenyls	Polybrominated biphenyl ethers	Dibutyl phthalate	Butylbenzyl phthalate	Di-2-ethylhexyl phthalate	Diisobutyl phthalate
Lead frame	○	○	○	○	○	○	○	○	○	○
Plastic resin	○	○	○	○	○	○	○	○	○	○
Chip	○	○	○	○	○	○	○	○	○	○
The lead	○	○	○	○	○	○	○	○	○	○
Plastic sheet installed	○	○	○	○	○	○	○	○	○	○
explanation	○: Indicates that the content of hazardous substances or elements in the detection limit of the following the SJ/T11363-2006 standard. ×: Indicates that the content of hazardous substances or elements exceeding the SJ/T11363-2006 Standard limit requirements.									

6.2、 Notes

We recommend you to read this chapter carefully before using this product.

The information in this chapter is provided for reference only and i-Core disclaims any express or implied warranties, including but not limited to applicability, special application or non-infringement of third party rights.

This product is not suitable for critical equipment such as life-saving, life-sustaining or safety equipment. It is also not suitable for applications that may result in personal injury, death, or serious property or environmental damage due to product malfunction or failure. I-Core will not be liable for any damages incurred by the customers at their own risk for such applications.

The customer is responsible for conducting all necessary tests i-Core's application to avoid failure in the application or the application of the customer's third party users. I-Core does not accept any liability.

The Company reserves the right to change or improve the information published in this chapter at any time. The information in this chapter are subject to change without notice. We recommend the customer to consult our sales staff before purchasing.

Please obtain related materials form i-Core's regular channels and we are not responsible for its content if it is provided by sources other than our company.

In case of any conflict between the Chinese and English version, the version is subject to the Chinese one.